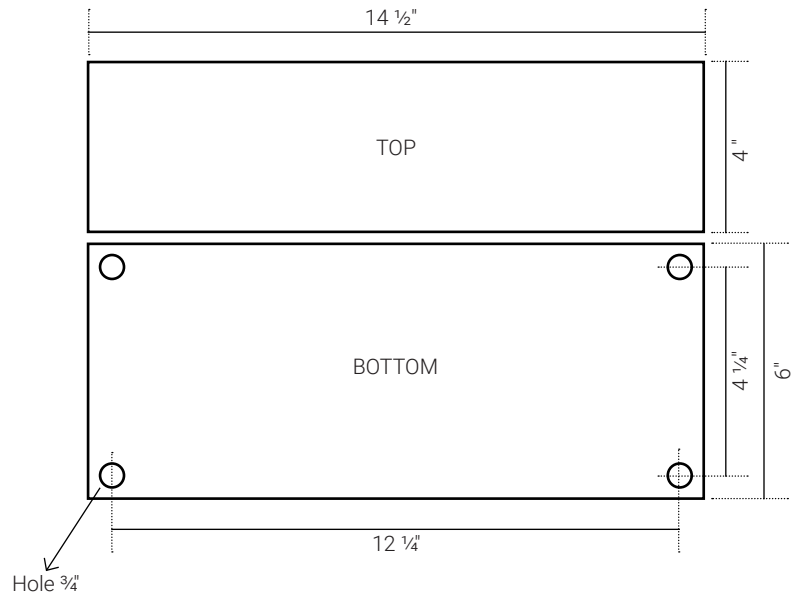
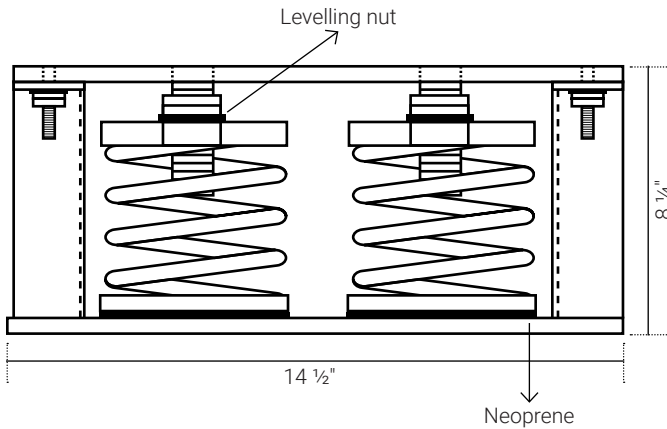


CATEGORY : SEISMIC SPRING ISOLATORS



## VSR2

\* ISOLATORS TO BE WELDED TO EQUIPEMENT

### DESCRIPTION

- Body are fabricated using solid steel.
- Springs are made from spring steel, zinc electro plated/ powder coated.
- Incorporated with leveling device.
- Load capacity ranging from 400 to 5600 lbs.
- Provided with anti-skid rubber pads.
- Color coded springs for easy and quick identification.
- Supplied with base plate for installation.
- 2" Deflection.

### APPLICATION

Used for wide range of equipments such as compressors, air handling units, fans, pumps and chillers, cooling towers etc.

model no.	rated load (lbs)	rated load (kgs)	deflection (in)	color code of spring
VSR2 400	400	91	2.00	yellow
VSR2 600	600	136	2.00	dark blue
VSR2 800	800	181	2.00	dark brown
VSR2 1300	1300	295	2.00	red
VSR2 1800	1800	408	2.00	dark green
VSR2 2400	2400	544	2.00	orange
VSR2 2800	2800	635	2.00	black
VSR2 3100	3100	703	2.00	grey
VSR2 3300	3300	748	2.00	white
VSR2 3600	3600	816	2.00	purple
VSR2 4200	4200	953	2.00	light green
VSR2 4400	4400	998	2.00	light blue
VSR2 5000	5000	1134	2.00	light brown
VSR2 5200	5200	1180	2.00	silver
VSR2 5600	5600	1270	2.00	maroon

**NOTE :** Research and development is a continuous process with us as improvements are made from time to time, specifications/ dimensions may change without notice. Tolerances in dimensions are as per international standards.