

CATEGORY : SEISMIC RUBBER VIBRATION ISOLATOR

VIB 3-7 MAXIMUM LOAD RANGE IN KGS.

DESCRIPTION

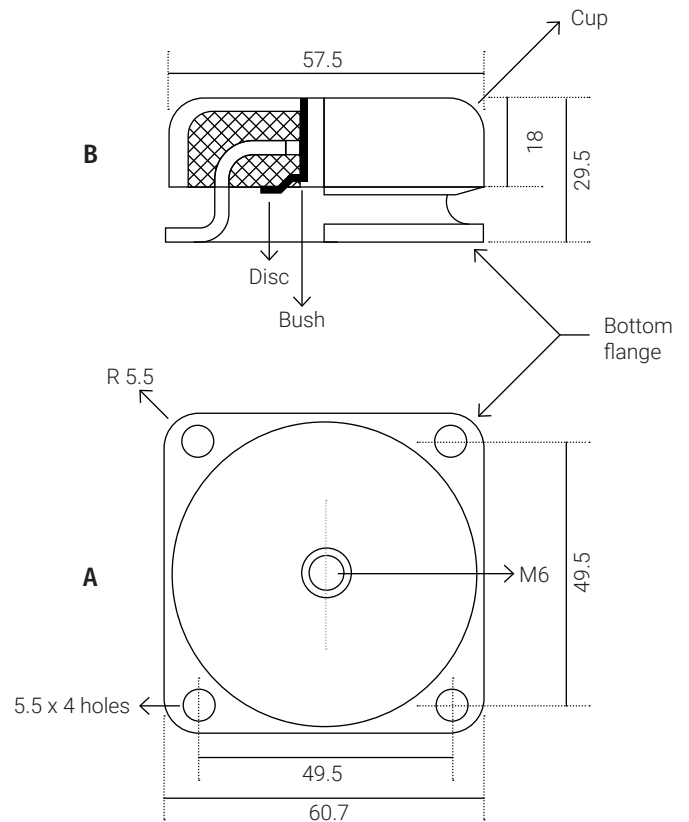
- Installation of equipments on VIB DAMPERS is the modern method of installing equipment which must be protected from shock and vibrations which are inherent in many environments.
- In mobile applications the equipments remains steady and isolated from the base vibrations during transit.

APPLICATION

- Diesel generating sets mounts
- Air compressors mounts (bath reciprocating type and screw compressors)
- Fan mounts and motor unit mounts
- Centrifuges mounts
- Air conditioning unit mounts
- Combustion engine mounts

NOTE

- Research & development is a continuous process with us.
- As improvements are made from time to time.
- Specifications and dimensions may change without notice.
- Tolerances in dimensions are as per international standards.



Type number	Mobile application	Static application
VIBS-3	3 Kg - 5 Kg	10 Kg
VIBS-4	5 Kg - 10 Kg	20 Kg
VIBS-5	10 Kg - 15 Kg	30 Kg
VIBS-6	15 Kg - 20 Kg	40 Kg
VIBS-7	20 Kg - 25 Kg	50 Kg

NOTE : Research and development is a continuous process with us as improvements are made from time to time, specifications/ dimensions may change without notice. Tolerances in dimensions are as per international standards.