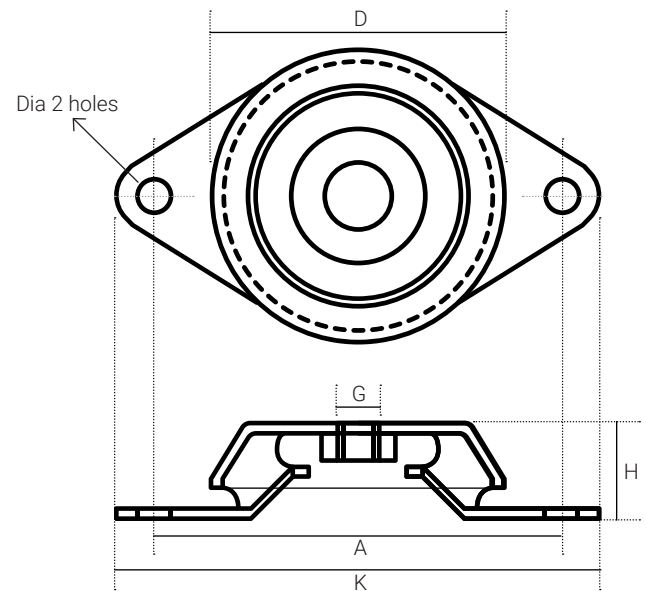


CATEGORY : SEISMIC RUBBER VIBRATION ISOLATOR

VIB 1-5

TECHNICAL SPECIFICATIONS OF VIB DAMPERS

VIB damper	max load	deflection (kg)	print marks (mm)
VIB1 100	100	2	Blue
VIB1 150	150	2	Grey
VIB1 200	200	2	Red
VIB1 300	300	2	Green
VIB2 120	120	2	Blue
VIB2 150	150	2	Grey
VIB2 180	180	2	Red
VIB2 280	280	2	Green
VIB3 275	275	4	Blue
VIB3 375	375	4	Grey
VIB3 450	450	4	Red
VIB3 650	650	4	Green
VIB4 300	300	4	Blue
VIB4 400	400	4	Grey
VIB4 600	600	4	Red
VIB4 750	750	4	Green
VIB4 300	500	6	Blue
VIB4 400	700	6	Grey
VIB4 600	1200	6	Red
VIB4 750	1500	6	Green



DESCRIPTION

- Installation of equipments on VIB DAMPERS is the modern method of installing equipment which must be protected from shock and vibrations which are inherent in many environments.
- In mobile applications the equipments remains steady and isolated from the base vibrations during transit.

APPLICATION

- Diesel generating sets mounts
- Air compressors mounts (bath reciprocating type and screw compressors)
- Fan mounts and motor unit mounts
- Centrifuges mounts
- Air conditioning unit mounts
- Combustion engine mounts

PHYSICAL DIMENSIONS ALL DIMENSIONS ARE IN MM

VIB damper	Cup Dia D	PCD betw. 2 Holes A	Base length K	Height H	Dia 2 holes D	Tapping size G
VIB1	61.5	84	110	35	9	M12
VIB2	79	110	130	30	9	M10
VIB3	108	144	172	38	13.5	M16
VIB4	121	158	186	42	13.5	M16
VIB5	142	182	212	48	13.5	M16

NOTE : Research and development is a continuous process with us as improvements are made from time to time, specifications/ dimensions may change without notice. Tolerances in dimensions are as per international standards.