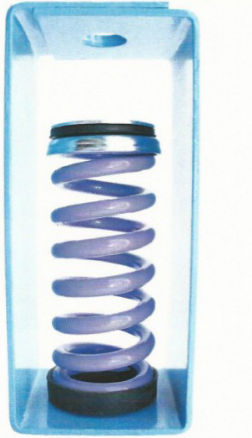


CATEGORY : SPRING HANGERS



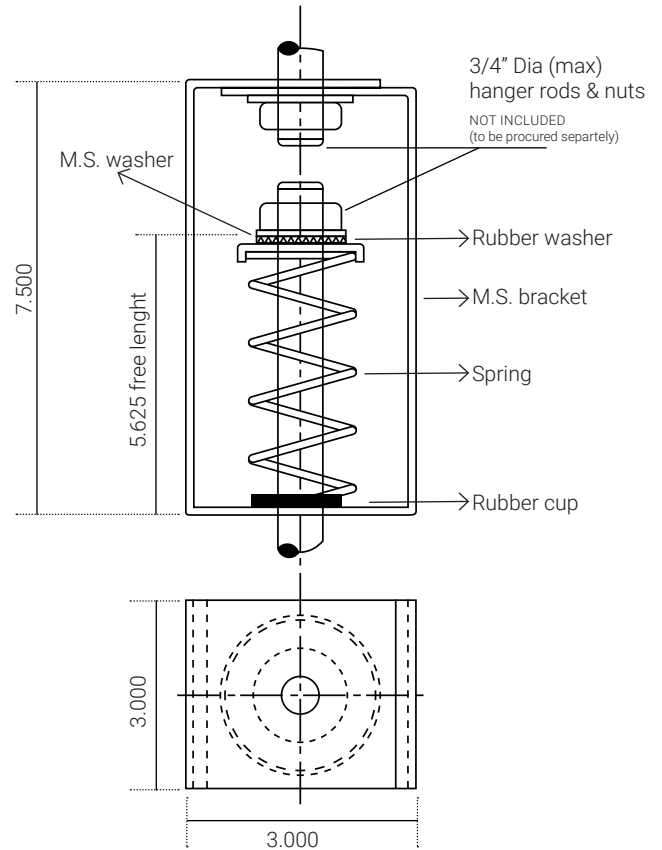
## SERIES SHL2

### DESCRIPTION

- Our spring hangers are fabricated using heavy duty steel.
- Springs are made from high quality and heavy spring steel.
- Springs are powder coated with color code for easy identification.
- Special rubber washers are provided for uniform distribution of load.

### APPLICATION

Used for wide range of HVAC equipments such as fan oil units, air handling units, fans, pumps and chillers etc.



model no.	rated load (lbs)	deflection (inches)	color code of spring
SHL2 200	200	2.25	white
SHL2 375	375	2.00	red
SHL2 500	500	2.00	black
SHL2 700	700	2.00	green
SHL2 900	900	2.00	orange
SHL2 1100	1100	2.00	brown
SHL2 1300	1300	2.00	blue

**NOTE :** Research and development is a continuous process with us as improvements are made from time to time, specifications/ dimensions may change without notice. Tolerances in dimensions are as per international standards.