

CATEGORY : RUBBER HANGERS



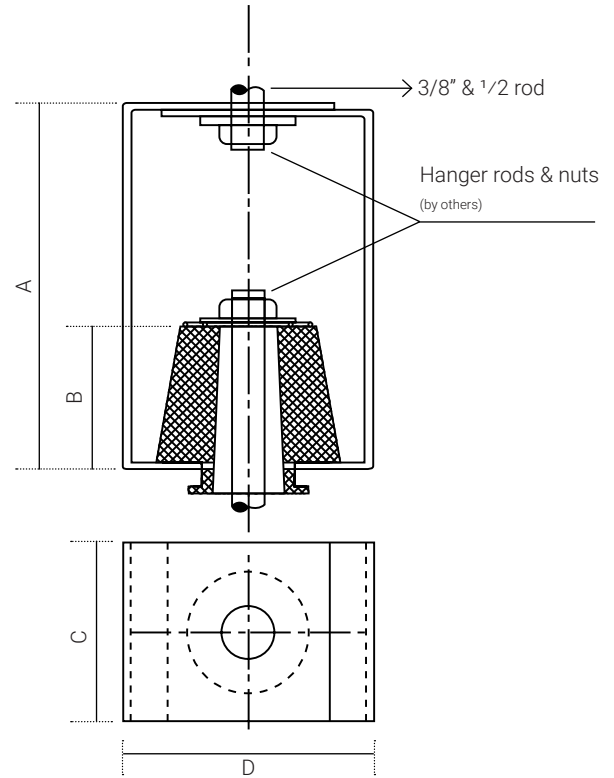
SERIES EHD

DESCRIPTION

- Our EHD hangers are neoprene elements in heavy duty steel housings.
- Elements are specially designed to avoid metal to metal contact.
- All EHD hangers are "double deflection".

APPLICATION

Used for HVAC suspended equipment.



hanger model	max load (lbs)	deflection (in)	hanger dimensions (in)				
			A	B	C	D	ROD
EHD1-BLUE	33	0.4	3	1- ³ / ₈	2	2- ¹ / ₄	³ / ₈
EHD1-RED	44	0.4	3	1- ³ / ₈	2	2- ¹ / ₄	³ / ₈
EHD1-GREEN	66	0.4	3	1- ³ / ₈	2	2- ¹ / ₄	³ / ₈
EHD1-BLACK	110	0.4	3	1- ³ / ₈	2	2- ¹ / ₄	³ / ₈
EHD2-BLUE	130	0.5	4- ¹ / ₂	1- ⁷ / ₈	2- ¹ / ₄	3	¹ / ₂
EHD2-RED	160	0.5	4- ¹ / ₂	1- ⁷ / ₈	2- ¹ / ₄	3	¹ / ₂
EHD2-GREEN	230	0.5	4- ¹ / ₂	1- ⁷ / ₈	2- ¹ / ₄	3	¹ / ₂
EHD2-BLACK	370	0.5	4- ¹ / ₂	1- ⁷ / ₈	2- ¹ / ₄	3	¹ / ₂

NOTE : Research and development is a continuous process with us as improvements are made from time to time, specifications/ dimensions may change without notice. Tolerances in dimensions are as per international standards.