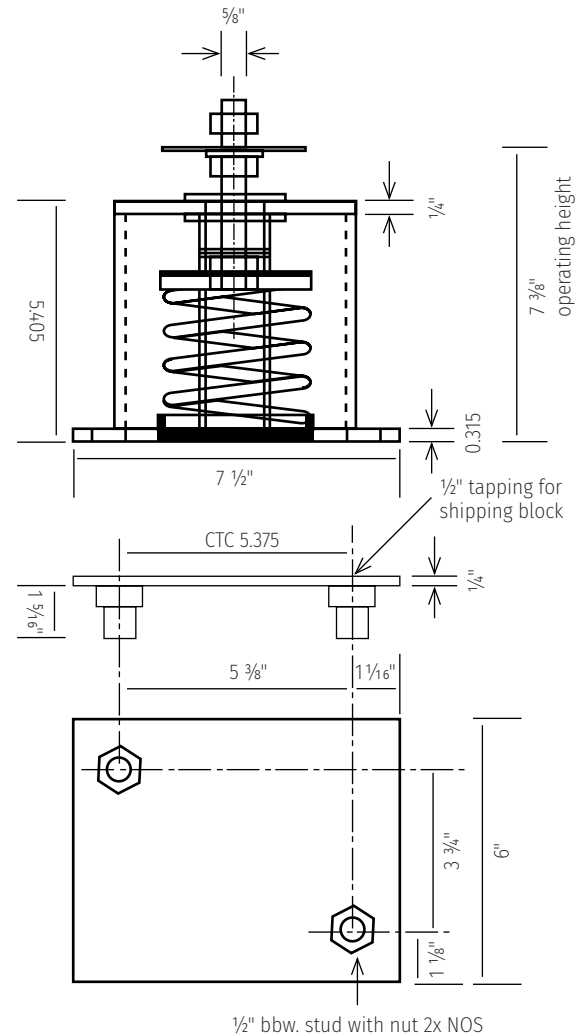
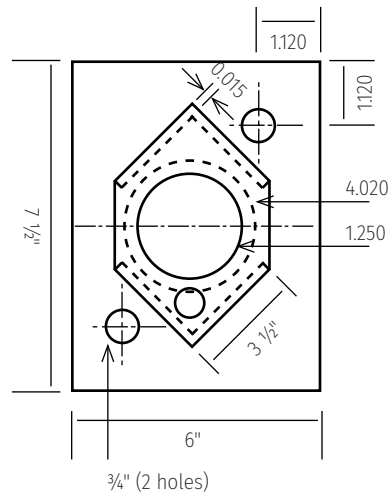


## Seismic Spring Isolators - SERIES SM2



1/2" bbw. stud with nut 2x NOS

### DESCRIPTION

Body are fabricated using solid steel, powder finish.  
 Springs are made from high quality spring steel, zinc electro plated/powder coated.  
 Incorporated with leveling device.  
 Load capacity ranging from 200 to 2800 lbs.  
 Provided with anti-skid rubber pads.  
 Color coded springs for easy and quick identification.  
 Supplied with base plate for installation.

### APPLICATION

Used for wide range of HVAC equipments such as compressors, air handling units, fans, pumps and chillers, etc.

model no.	rated load (lbs)	rated load (kgs)	deflection (inches)	color code of spring
SM2 200	200	91	2.00	yellow
SM2 300	375	136	2.00	dark blue
SM2 400	450	181	2.00	dark brown
SM2 650	700	295	2.00	red
SM2 900	900	408	2.00	dark green
SM2 1200	1200	544	2.00	orange
SM2 1400	1400	635	2.00	black
SM2 1550	1550	703	2.00	grey
SM2 1650	1650	748	2.00	white
SM2 1800	1800	816	2.00	purple
SM2 2100	2100	953	2.00	light green
SM2 2200	2200	998	2.00	light blue
SM2 2500	2500	1134	2.00	light brown
SM2 2600	2600	1180	2.00	silver
SM2 2800	2800	1270	2.00	brown

**Note**  
 Research and development is a continuous process with us as improvements are made from time to time, specifications/ dimensions may change without notice. Tolerances in dimensions are as per international standards.