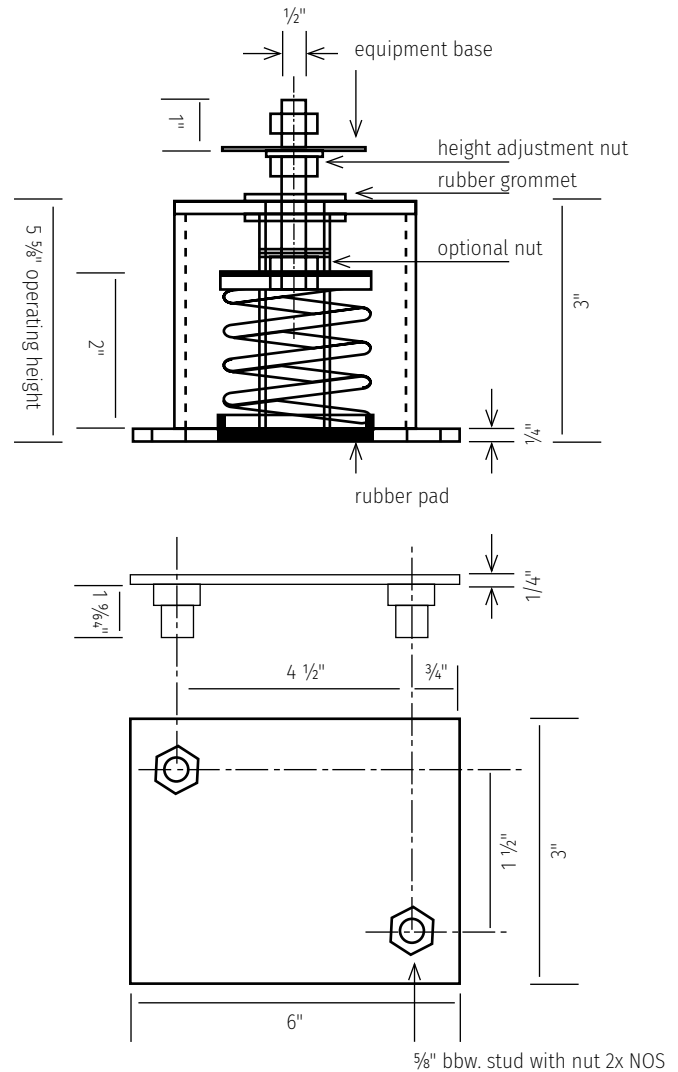
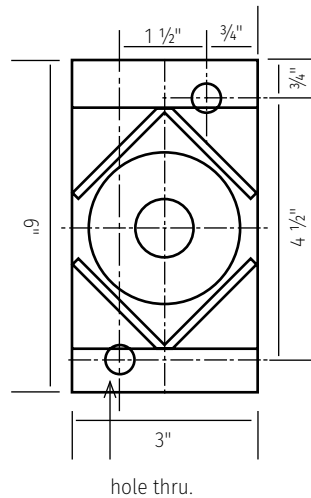


Distributed by DEFLECTION.ca

– 514-371-6669 | Mickael@deflection.ca

Specification sheet manufactured by VIBRACAN

Seismic Spring Isolators – SERIES SM1



DESCRIPTION

Body are fabricated using solid steel.
Springs are made from spring steel, zinc electro plated/powder coated.
Incorporated with leveling device.
Load capacity ranging from 50 to 700 lbs.
Provided with anti-skid rubber pads.
Color coded springs for easy and quick identification.
Supplied with base plate for installation.

APPLICATION

Used for wide range of HVAC equipments such as compressors, air handling units, fans, pumps and chillers, etc.

model no.	rated load (lbs)	rated load (kgs)	deflection (inches)	color code of spring
SM1 50	50	23	1.00	yellow
SM1 100	100	45	1.00	dark blue
SM1 150	150	68	1.00	dark brown
SM1 250	250	113	1.00	red
SM1 375	375	170	1.00	dark green
SM1 450	450	204	1.00	orange
SM1 700	700	318	1.00	black

Note
Research and development is a continuous process with us as improvements are made from time to time, specifications/ dimensions may change without notice. Tolerances in dimensions are as per international standards.

DISTRIBUTED BY:

DEFLECTION