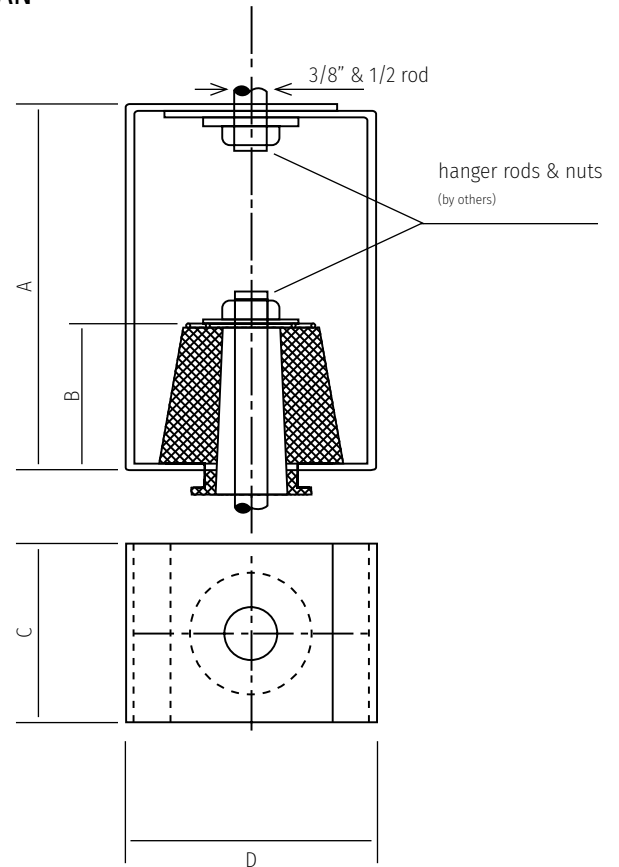


# Distributed by DEFLECTION.ca

- 514-371-6669 | Mickael@deflection.ca

Specification sheet manufactured by VIBRACAN

## Rubber Hangers - SERIES EHD



### DESCRIPTION

VIBRACAN EHD hangers are neoprene elements in heavy duty steel housings. Elements are specially designed to avoid metal to metal contact. All EHD hangers are “double deflection”.

### APPLICATION

Used for HVAC suspended equipment.

hanger model	max load (lbs)	deflection (inches)	hanger dimensions (inches)				
			A	B	C	D	ROD
EHD1-BLUE	33	0.4	3	1-3/8	2	2-1/4	3/8
EHD1-RED	44	0.4	3	1-3/8	2	2-1/4	3/8
EHD1-GREEN	66	0.4	3	1-3/8	2	2-1/4	3/8
EHD1-BLACK	110	0.4	3	1-3/8	2	2-1/4	3/8
EHD2-BLUE	130	0.5	4-1/2	1-7/8	2-1/4	3	1/2
EHD2-RED	160	0.5	4-1/2	1-7/8	2-1/4	3	1/2
EHD2-GREEN	230	0.5	4-1/2	1-7/8	2-1/4	3	1/2
EHD2-BLACK	370	0.5	4-1/2	1-7/8	2-1/4	3	1/2

Note  
Research and development is a continuous process with us as improvements are made from time to time, specifications/ dimensions may change without notice. Tolerances in dimensions are as per international standards.

DISTRIBUTED BY:

**DEFLECTION**