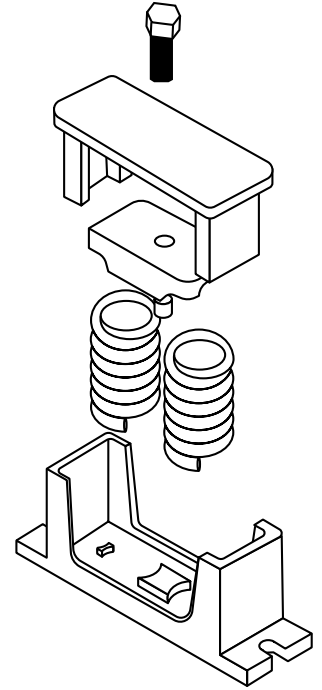
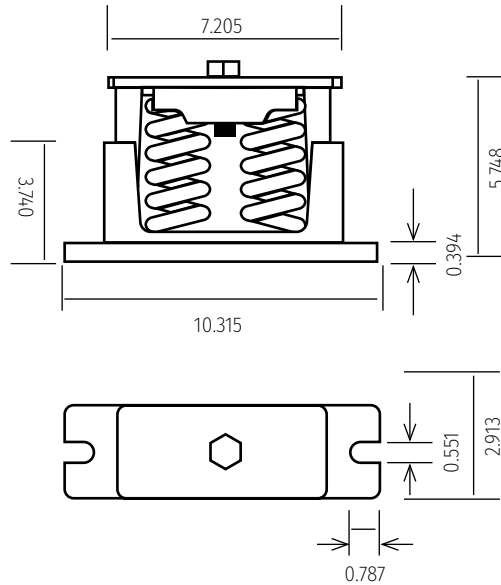


Distributed by DEFLECTION.ca

– 514-371-6669 | Mickael@deflection.ca

Specification sheet manufactured by VIBRACAN

Housing Spring Mounts – SERIES G2



DESCRIPTION

VIBRACAN isolators are fabricated using heavy duty steel. Spring are made from high quality and heavy spring steel. The seismic isolators are used where vertical restraint is required along with external forces. Specially designed rubber cups are provided to avoid metal to metal contact.

APPLICATION

Used for wide range of HVAC equipments such as compressors, air handling units, fans, pumps and chillers, etc.

hanger model	max load (lbs)	rated load (kgs)	deflection (inches)	colour code of spring
G2 1320	1320	600	1.00	green
G2 1760	1760	800	1.00	brown
G2 2200	2200	1000	1.00	blue
G2 2650	2650	1200	1.00	dark purple
G2 3085	3085	1400	1.00	light purple
G2 3527	3527	1600	1.00	dark purple
G2 3968	3968	1800	1.00	red
G2 4410	4410	2000	1.00	grey
G2 5510	5510	2500	1.00	light green
G2 6610	6610	3000	1.00	light yellow
G2 7720	7720	3500	1.00	light brown

Note

Research and development is a continuous process with us as improvements are made from time to time, specifications/ dimensions may change without notice. Tolerances in dimensions are as per international standards.

DISTRIBUTED BY:

DEFLECTION